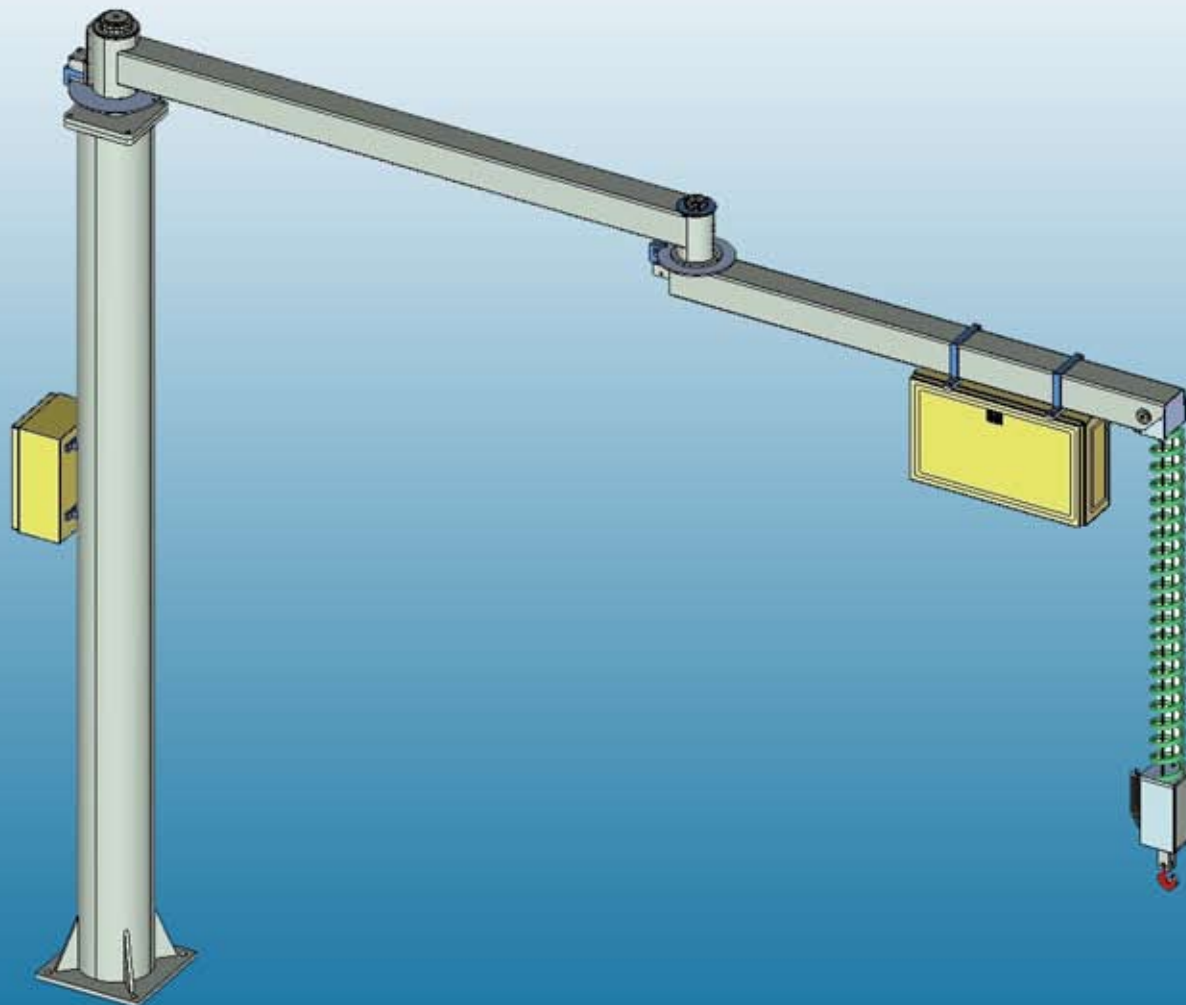


# PNEUMATIC ROPE BALANCERS

## ROPE BALANCER BFCS 75

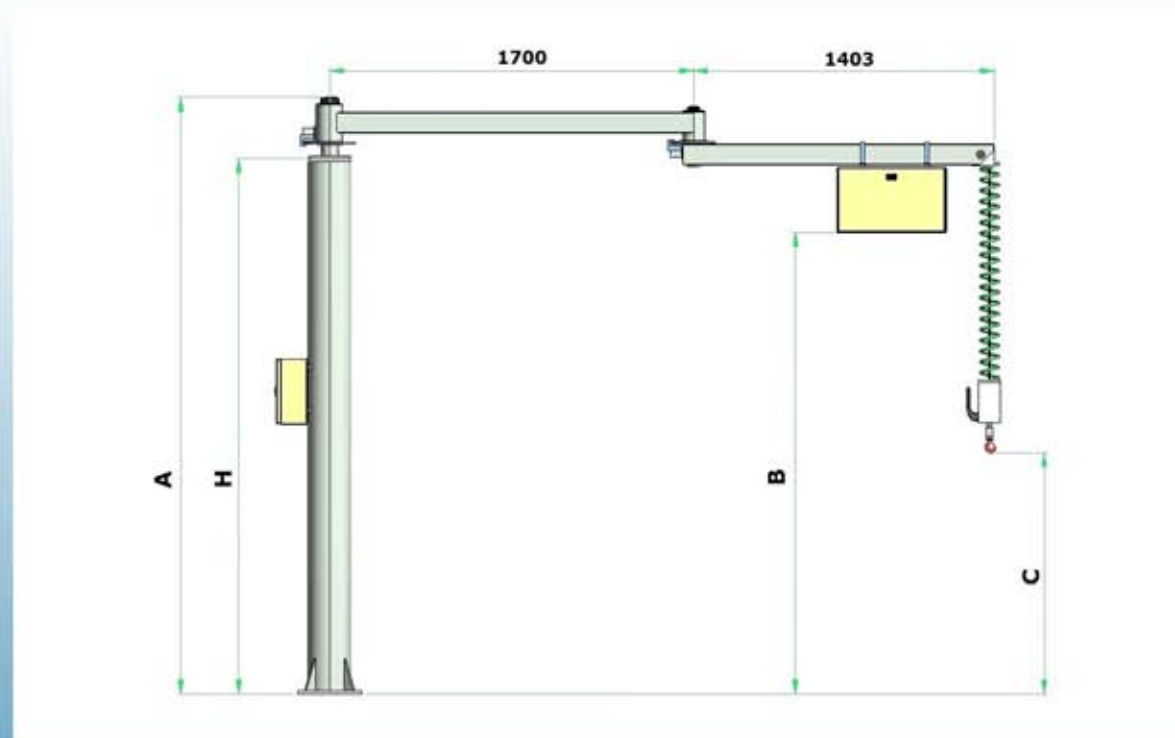


MANIBO s.r.l.  
Workshop: Via Armaroli, 16/a-b  
40012 Calderara di Reno BO

Tel. 051 6468143  
Fax 051 6468179

Web: [www.mani-bo.com](http://www.mani-bo.com)  
Email: [manibo@mani-bo.com](mailto:manibo@mani-bo.com)

# PNEUMATIC ROPE BALANCERS



## Technical characteristics:

- Pneumatic feeding pressure 7 bar
- Capacity 75 kg
- Working radius 3081 mm
- 360° continuous rotation around the column
- 360° continuous rotation between the arms
- Instant air consumption 310 NI/min

## Dimensional table:

<b>A</b>	: 326 + H
<b>B</b>	: H - 345
<b>H</b>	: on request
<b>C</b>	: C <sub>min</sub> + 2000
<b>C<sub>min</sub></b>	: on request
<b>R<sub>max</sub></b>	: 3081
<b>R<sub>min</sub></b>	: 319

measures in mm

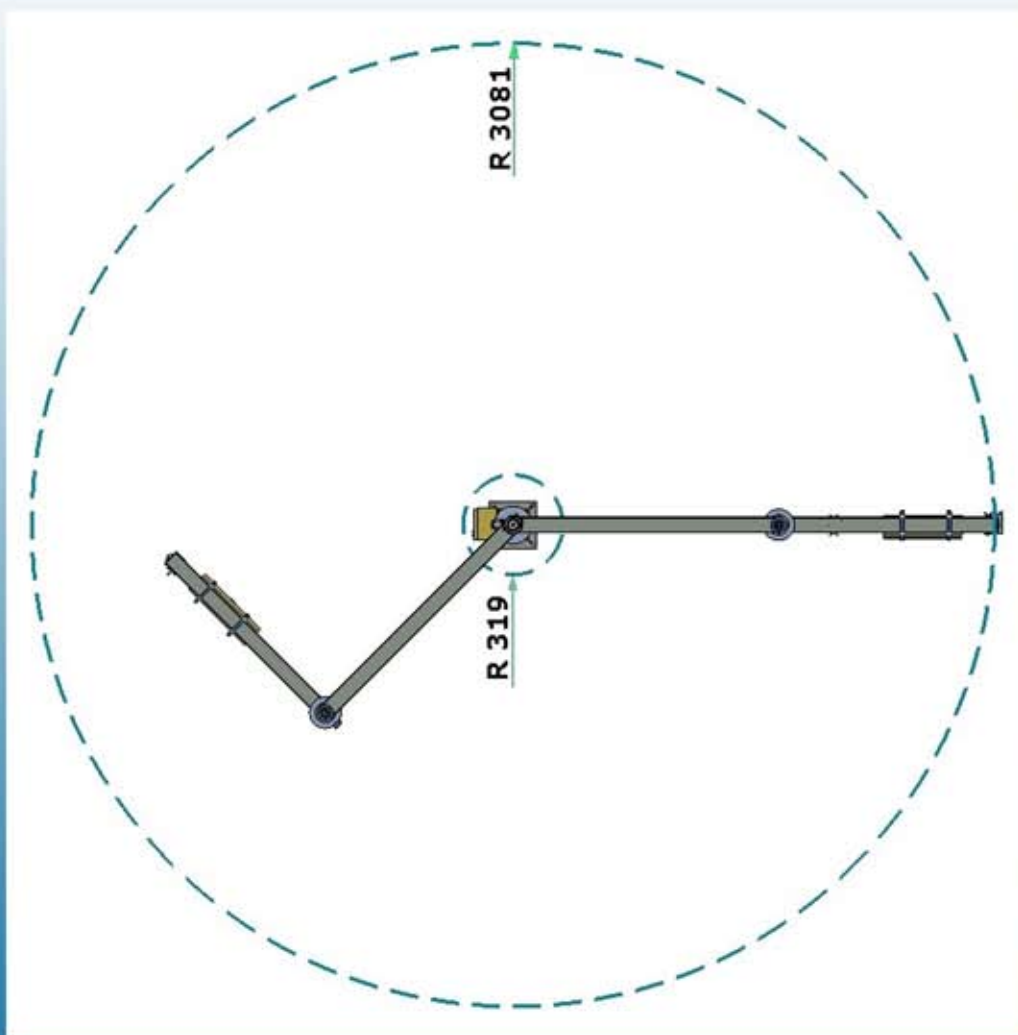


MANIBO s.r.l.  
Workshop: Via Armaroli, 16/a-b  
40012 Calderara di Reno BO

Tel. 051 6468143  
Fax 051 6468179

Web: [www.mani-bo.com](http://www.mani-bo.com)  
Email: [manibo@mani-bo.com](mailto:manibo@mani-bo.com)

# PNEUMATIC ROPE BALANCERS



Base plate dimensions 300 x 300 mm

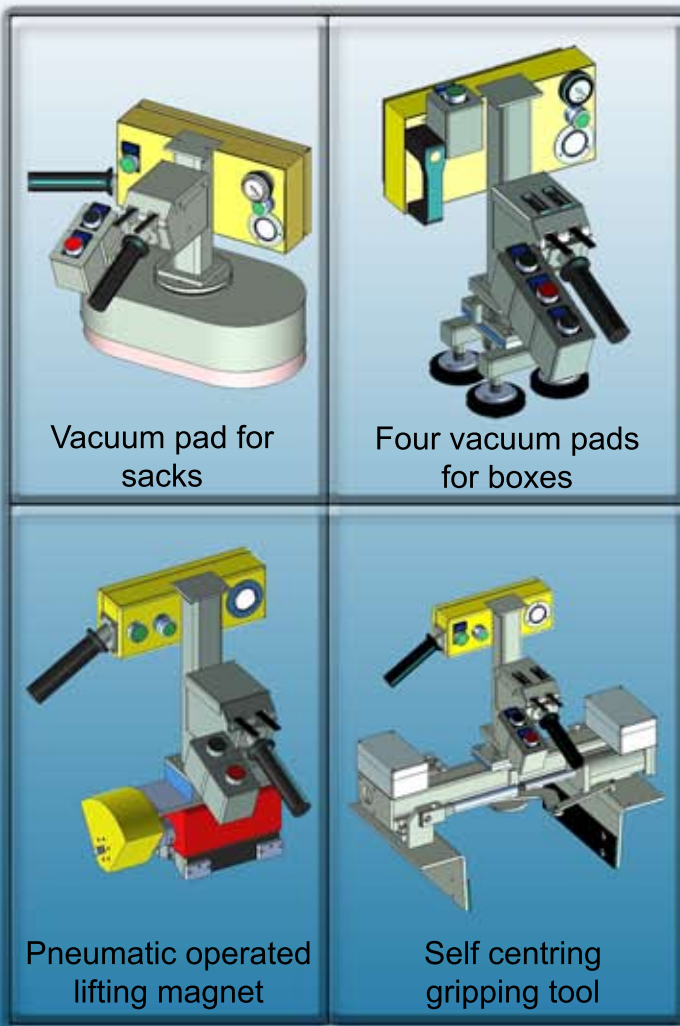
Fixing bolts: Nr. 4 M16 x 200 mm

The balancer can also be fixed on a self bearing fork liftable base, manufactured in steel, dimensions 1200 x 1200 x 160 mm.

Safety devices:

- Locking valve for the lifting hook, or of the handling attachments, in case of compressed air feeding fall down
- Stationary brakes on the articulations against the spontaneous movements of the arm
- Cutting flow valve to avoid quick and not controller lifting of the rope, in case of wrong maneuvers
- Possibility to limit the arm rotation
- Tank, installed in case of supplying of hf vacuum or mechanical handling attachments to avoid the releasing of the lifted load

# PNEUMATIC ROPE BALANCERS



## ACCESSORIES

The balancer can be supplied with a simple rotating hook or with an handling attachment, properly manufactured for the handling of a specific part. On the handle of the handling attachment are foreseen:

- Lifting and lowering controls for the balancer
- Gripping and releasing controls
- Consent button to avoid wrong maneuvers
- Warning green lamp to indicate tha the load is laid ant that consequently it is possible to control the re leasing of the lifted part
- Gauge to indicate the feeding air pressure
- Vacuum gauge to indicate the value of the vacuum inside the vacuum pads (if installed) during the gripping